

17. CR HS

CRNE 1, 3-23 HS

50/60 Hz

Chamber stack complete (silicon carbide bearing)

Pump type	CRNE 1-23	CRNE 1-23	CRNE 3-23	CRNE 3-23
Pos.	EPDM	FKM	EPDM	FKM
80	96478701	96478702	96478703	96478704

Coupling complete

Pos.	Kit No	415063
Pos.	Motor/pump shaft diameter [mm]	28/12
Description		
9	Screw	4
10	Pin	1
10a	Coupling half	2

Coupling guard

Pos.	Kit No	96505130	96505131	96505132
Pos.	Description	MG 71-80	MG 90-132	NEMA F 182/213 TC
7	Coupling guard	2	2	2
7a	Screw	4	4	4

O-ring

Pos.	Kit No	96483490	96483491
Pos.	Description	EPDM	FKM
37	O-ring $\varnothing 137.5 \times 3.3$	2	2
38	O-ring $\varnothing 16.3 \times 2.4$	1	1
100	O-ring $\varnothing 16.3 \times 2.4$	2	2
109	O-ring $\varnothing 22 \times 2.75$	1	1

Plug

Pos.	Kit No	96505133	96511103
Pos.	Description	EPDM/FKM	EPDM/FKM NEMA
18	Air vent screw	1	1
23a	Pipe plug	1	1
23b	Pipe plug	1	1
25	Drain plug with bypass valve	1	1
38	O-ring $\varnothing 16.3 \times 2.4$	EPDM	1
		FKM	1
100	O-ring $\varnothing 16.3 \times 2.4$	EPDM	1
		FKM	2

Sensor

Description	0-40 bar	0-60 bar
Kit No	96483573	96483574
Sensor	1	1

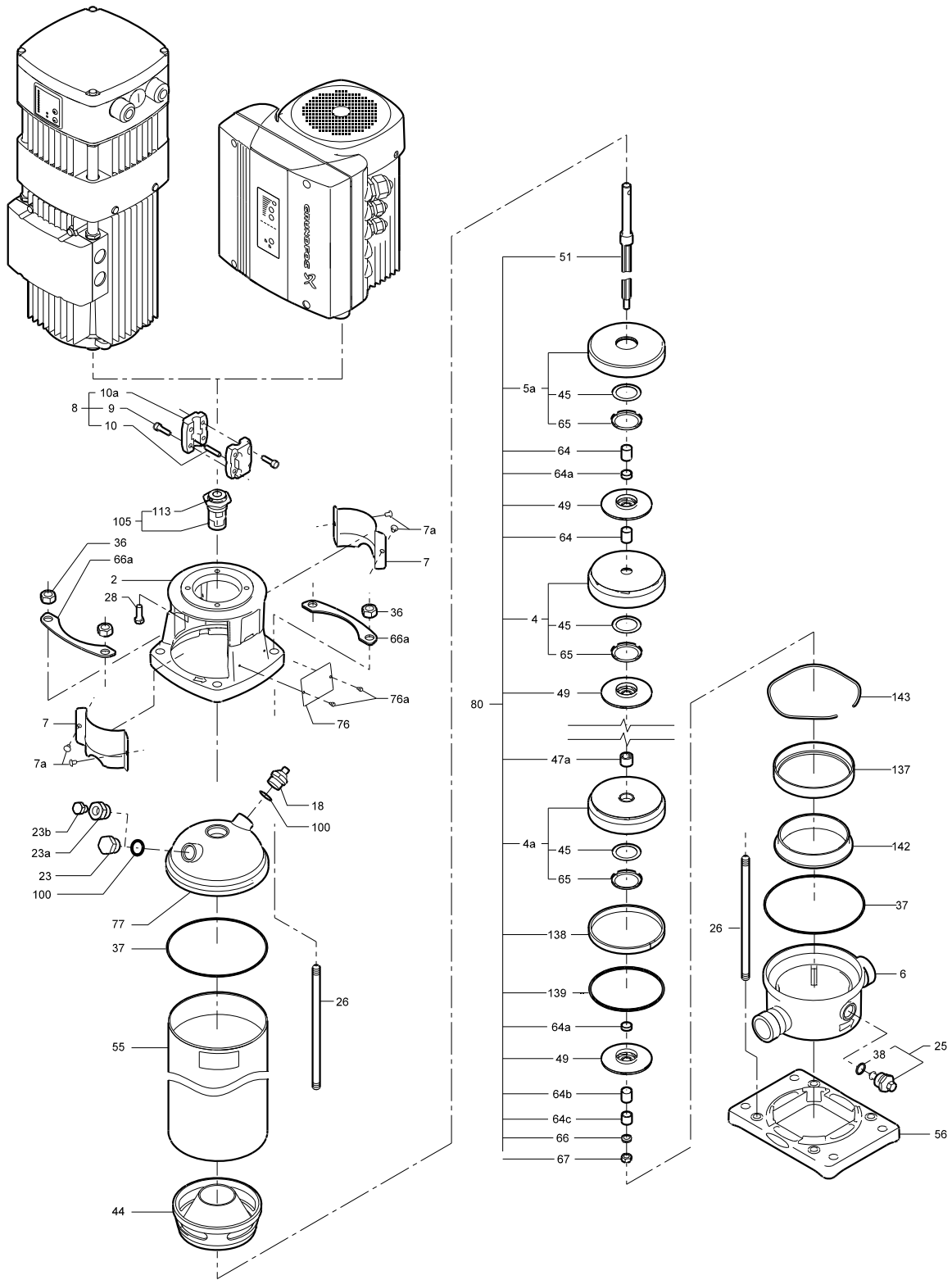
Shaft seal

Pos.	Kit No	96455086	96455087	96533326	96533327	96455088	96455089	96491375	96455082	96455083
Pos.	Description	HQQE	HQQV	HQQK	HQQF	HQBE	HQBV	HQBK	HUBE	HUBV
105	Shaft seal	1	1	1	1	1	1	1	1	1

Pos.	Kit No	96533322	96533323	96455084	96455085	91043611	96533324	96533325
Pos.	Description	HUBK	HUBF	HUUE	HUUV	HUUV*	HUUK	HUUF
105	Shaft seal	1	1	1	1	1	1	1

* Silicone-free cartridge

CRNE 1, 3-23 HS



TM02 4484 0806